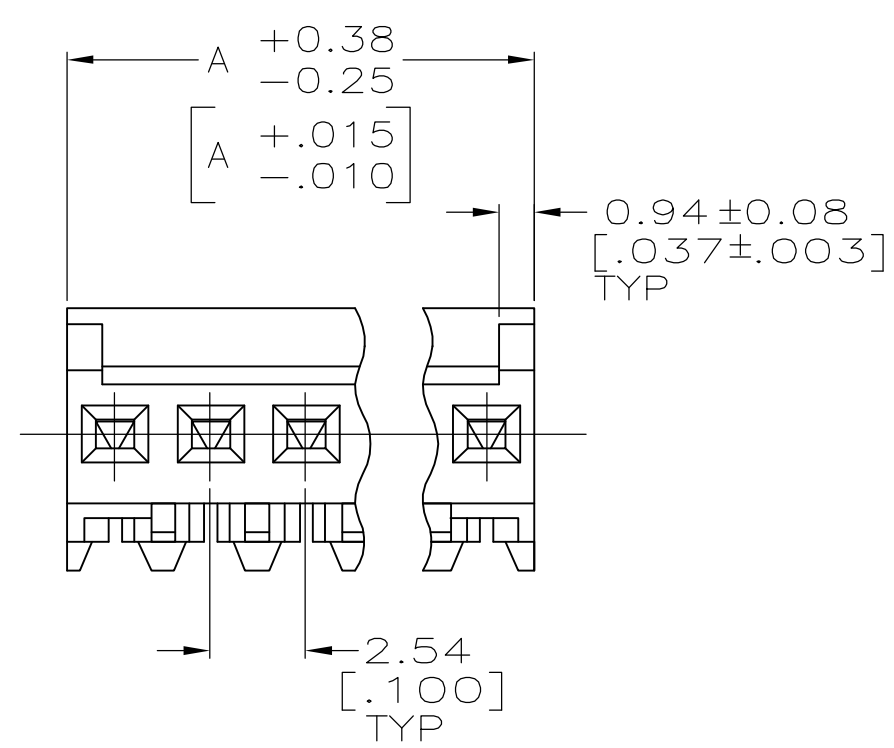
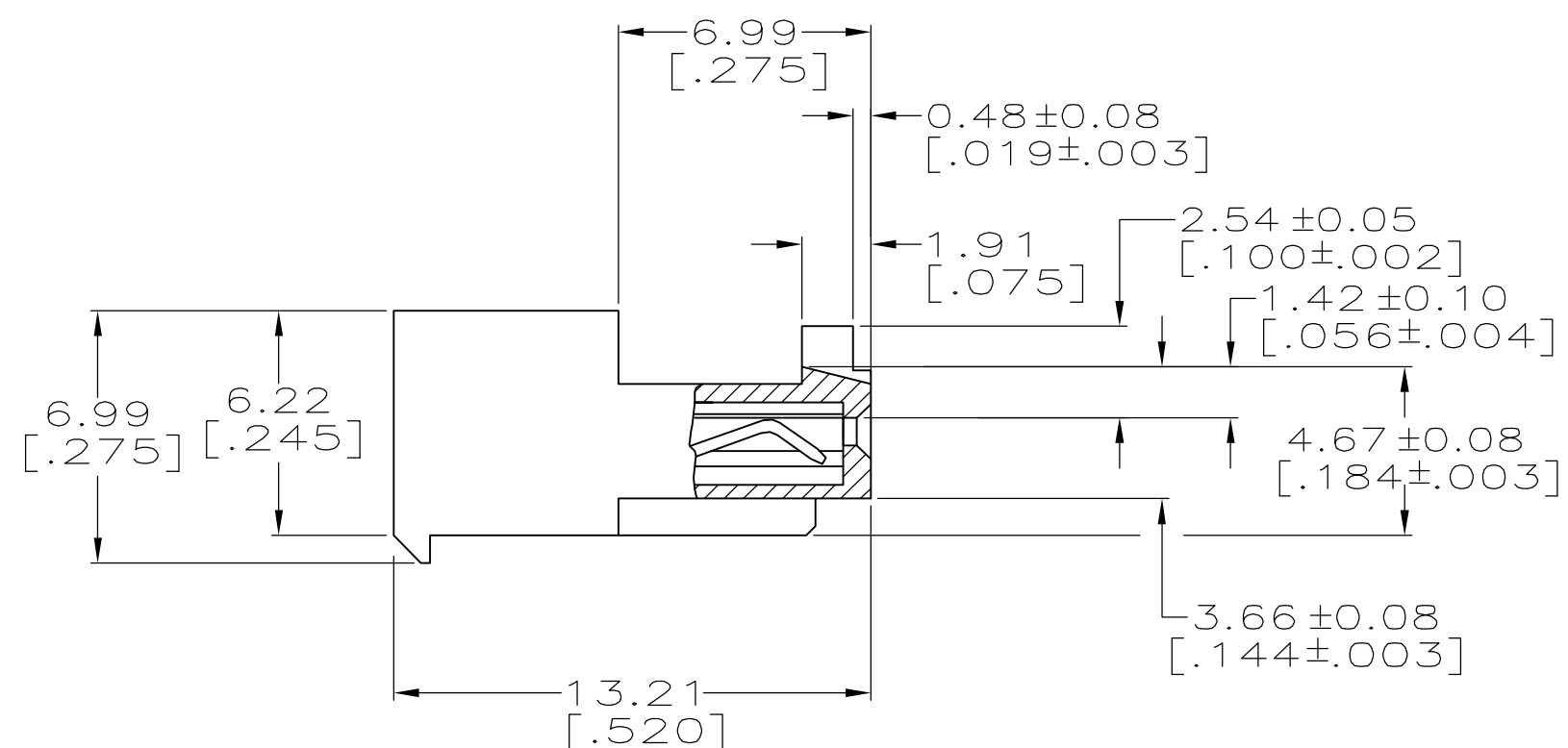
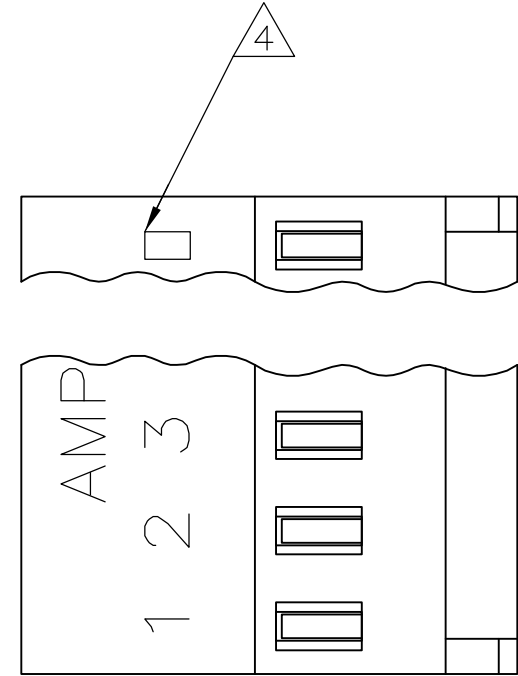


THIS DRAWING IS UNPUBLISHED. RELEASED FOR PUBLICATION
 © COPYRIGHT BY TYCO ELECTRONICS CORPORATION. ALL RIGHTS RESERVED.

LOC		DIST		REVISIONS			
P	LTR	DESCRIPTION		DATE	DWN	APVD	
CM	00	E		REVISION PER ECO-07-003728	23FEB07	KW	DB



LEAD FREE	38.10	[1.500]	15	4-644313-5
	35.56	[1.400]	14	4-644313-4
	33.02	[1.300]	13	4-644313-3
	30.48	[1.200]	12	4-644313-2
	27.94	[1.100]	11	4-644313-1
	25.40	[1.000]	10	4-644313-0
	22.86	[.900]	9	3-644313-9
	20.32	[.800]	8	3-644313-8
	17.78	[.700]	7	3-644313-7
	15.24	[.600]	6	3-644313-6
12.70	[.500]	5	3-644313-5	
10.16	[.400]	4	3-644313-4	
7.62	[.300]	3	3-644313-3	
5.08	[.200]	2	3-644313-2	

CONTAINS LEAD	38.10	[1.500]	15	1-644313-5
	35.56	[1.400]	14	1-644313-4
	33.02	[1.300]	13	1-644313-3
	30.48	[1.200]	12	1-644313-2
	27.94	[1.100]	11	1-644313-1
	25.40	[1.000]	10	1-644313-0
	22.86	[.900]	9	644313-9
	20.32	[.800]	8	644313-8
	17.78	[.700]	7	644313-7
	15.24	[.600]	6	644313-6
12.70	[.500]	5	644313-5	
10.16	[.400]	4	644313-4	
7.62	[.300]	3	644313-3	
5.08	[.200]	2	644313-2	

DIM A	NO. OF POSN	ASSEMBLY
-------	-------------	----------

1 MATERIAL: CONNECTOR-NYLON UL94V-0 (BLACK).
 CONTACTS-0.30 [.012] THICK COPPER ALLOY
 BRIGHT TIN-LEAD 0.00203 [.000080] MIN THICK FOR CONTACTS
 644313-2 THRU 1-644313-5
 MATTE WHISKER MITIGATED TIN PLATE 0.00203 [.000080] MIN THICK
 OVER 0.00076 [.000030] MIN THICK NICKEL FOR CONTACTS
 3-644313-2 THRU 4-644313-5.

2. CONTACTS ACCEPT 26 AWG WIRE WITH 1.52 [.060] MAX INSULATION DIAMETER.

3. CONTACTS MUST ACCEPT 0.64±0.03 [.025±.001] SQUARE POST AND REMAIN LOCKED IN POSITION.

4 IDENTIFICATION NUMBER FOR LAST CIRCUIT MAY NOT APPEAR ON ALL ASSEMBLIES.

5. DIMENSIONS IN BRACKETS ARE IN INCHES.

6. HOUSING FEATURES ARE: CLOSED END WITH LOCKING RAMP AND WITH POLARIZING TAB.



THIS DRAWING IS A CONTROLLED DOCUMENT.		DWN S. HOOVER 06-DEC-2004	 Tyco Electronics Corporation Harrisburg, Pa 17105-3608
DIMENSIONS: mm [INCHES]		CHK D. BOSSI 03-DEC-2004	
TOLERANCES UNLESS OTHERWISE SPECIFIED:		APVD D. BOSSI 03-DEC-2004	NAME
0 PLC ±		MTA .100 CONNECTOR ASSEMBLY	
1 PLC ±		26 AWG, UL94V-0, SPECIAL	
2 PLC ±		PRODUCT SPEC	
3 PLC ±		108-1050	
4 PLC ±		APPLICATION SPEC	
ANGLES ±		114-1019	
FINISH		WEIGHT	
MATERIAL		SIZE A2	
		CAGE CODE 00779	
		DRAWING NO G=644313	
		RESTRICTED TO	
		CUSTOMER DRAWING	
		SCALE 5:1	
		SHEET 1 OF 1	
		REV E	